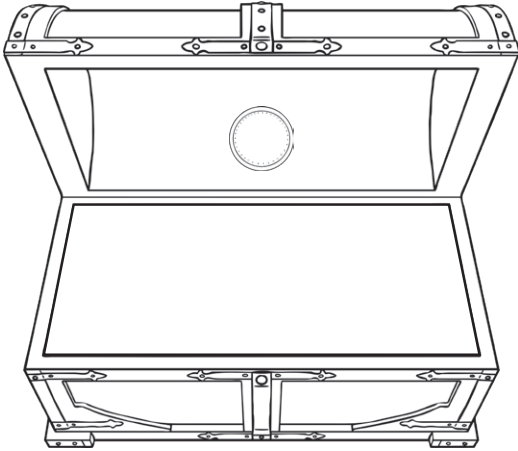
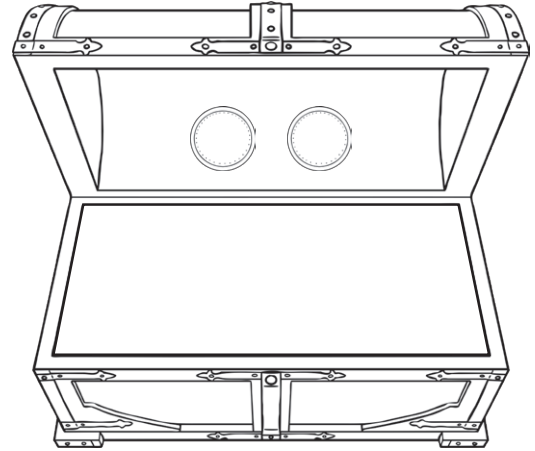


Pirate Doubles

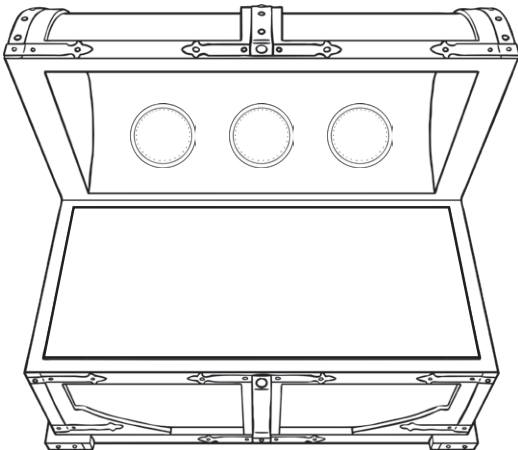
Carefully, look at the coins. Then, draw the same amount of coins inside the treasure chest to double the amount. Count how many coins there are altogether and write your answer.



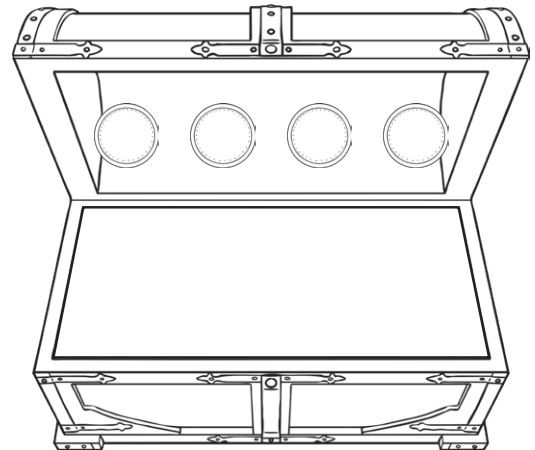
Double 1 is _____.



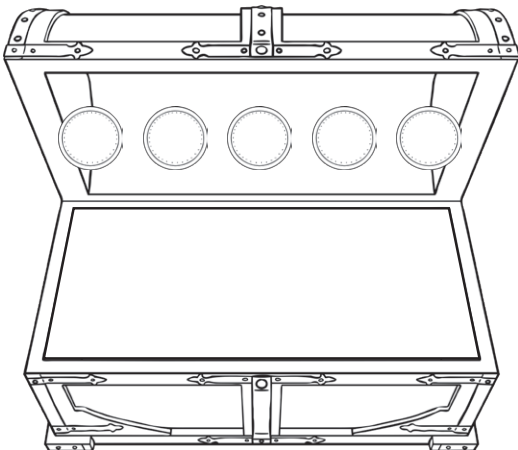
Double 2 is _____.



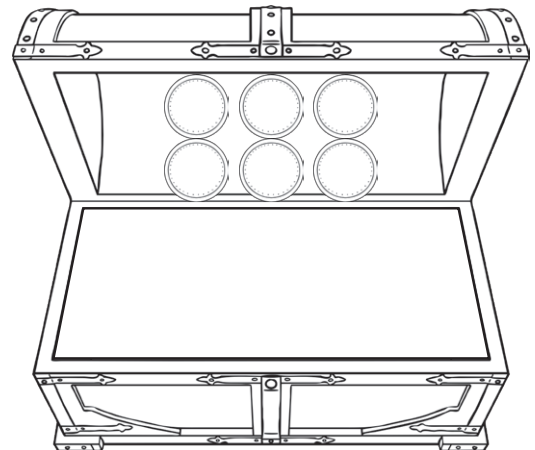
Double 3 is _____.



Double 4 is _____.



Double 5 is _____.



Double 6 is _____.